

Sulfur Dioxide Analyzer

KIMOTO

model SA-731

Sulfur dioxide is the causative agents such as the respiratory illness and acid rain. SA-731 is a continuous analyzer that measures the sulfur dioxide in ambient air by an ultraviolet fluorescent method (UVF) complying with JIS B 7952.



High accuracy measurement and zero stability is achieved by the flow switching method.

Low span drift by the simultaneous calibrating technology.

Simple operation on a large color LCD touch panel offers a lot of information.

Large capacity memory to save measured data for over a year.

USB memory for general-purpose is available to data extraction.

Ethernet interface is available as standard equipment for digital telemetering.

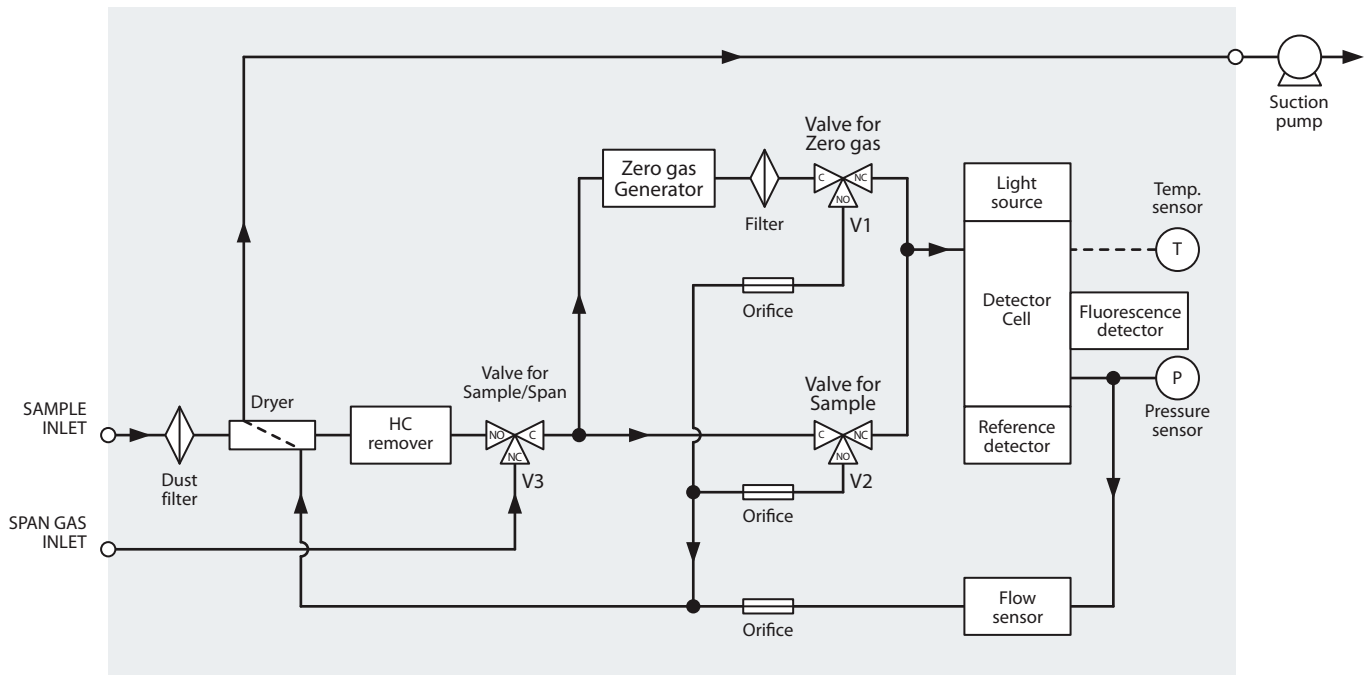
General Specifications

Measuring object	Sulfur Dioxide (SO ₂) in ambient air	Warming-up time	within 3 hour
Measuring method	Ultraviolet fluorescent method (JIS B 7952)	Permissible ambient temperature range	0 - 40°C
Measuring range *	0 - 0.5ppm (normal), 0 - 1 ppm (optional)	Sample flow rate	approx. 1 L/min
Analog output range *	0 - 0.05/ 0.1/ 0.2/ 0.5 ppm 4-ranges auto/manual switching (normal), 0 - 0.05/ 0.1/ 0.2/ 0.5/ 1 ppm 5-ranges auto/manual switching (optional) *Starting range is selectable *Fixed range is also available	Dust filter	φ47mm PTFE filter
Repeatability	±1% of span gas concentration	LCD display	Measuring data, Output range, performance and control information, Messages, Alert
Zero drift	±2 ppb/ week	Internal data memory	Measuring data (1min, 1h data), Operation history, Messages, Alert
Span drift	±2%/day, ±4%/ week of span gas conc.	Digital IN/OUT	Ethernet, USB1.1, RS232C
Linearity	±4% for half number of span gas conc.	Output for serial recorder (optional) *	Measuring data (1min, 1h data), Operation history, Messages, Alert
Stability to voltage fluctuation	±1% / 100±10V for span gas conc.	Analog output for telemeter (optional) *	DC 0 - 1V : Continuous data, 1h mean value Contact signal : Output range, external reset, adjusting, power discontinuity, disconnecting, system failure, etc.
Stability of reading for temperature change	Zero: within ±2ppb / 5°C Span: within ±2%/ 5°C of span gas conc.	Power requirement	AC100V 50/ 60Hz approx. 300VA
Response time	4 minutes or less (T90)	Withstand voltage test	AC1000V 50/ 60Hz during 1 min.
Detection limit	1 ppb or less	Insulation resistance	more than 5 Megohm
Interference	4 ppb or less (by Toluene 0.1 ppm)		*For further information, please contact us.

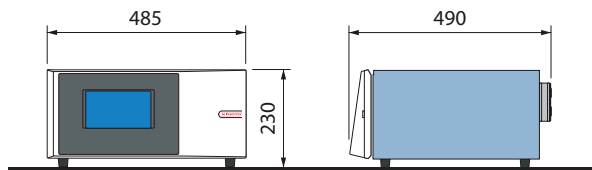
Optional

Rack mount	A17: H875mm rollaway rack A22: H1100mm rollaway rack	Analog I/O unit for a telemeter	TU07 : terminal block (Rear connection with rack mount)
Recorder	Serial recorder Chart width:180mm	Auxiliary gases supply	Automatic diluter DS-071S single diluting by flow ratio with zero gas generating unit.

Flow Diagram

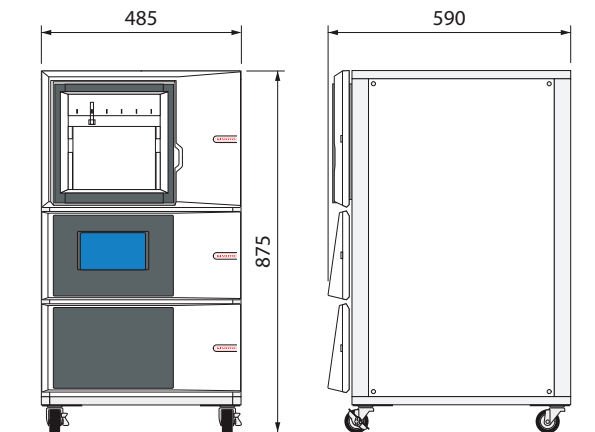


Dimensions



Desktop type (approx.15 kg without pump)

Unit: mm



Rack-mount type (A17) (approx.50kg incl. pump and DS-071S)

Product Code

SA-731- [] [] [] [] []

T1	Desktop type
A1	A17 Rack
A2	A22 Rack
R	Serial Recorder
0	No use
T	Analog I/O unit for a Telemeter TU07
0	No use
D	Standard gas generator DS-071S
0	No use
05	Measuring range 0 - 0.5ppm
1	Measuring range 0 - 1ppm

CAUTION

*) Operation manual should be read before measuring.

*) To avoid fire, break down and electric shock, do not use this analyzer at the place where beside water, high moisture, dust or oily smoke.

KIMOTO

KIMOTO ELECTRIC CO., LTD.

3-1FUNAHASHI-CHO,TENNOJI-KU,OSAKA 543-0024 JAPAN

TEL 06-6768-3401 FAX 06-6764-7040 E-mail:sales@kimoto-electric.co.jp

<http://www.kimoto-electric.co.jp>